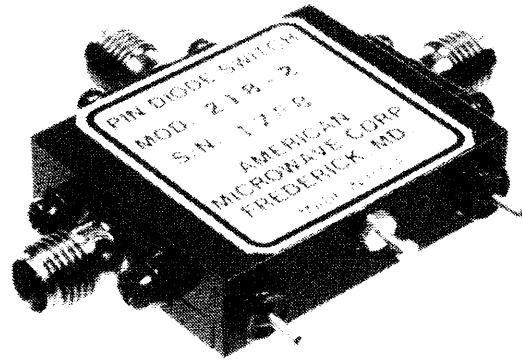




AMERICAN Microwave Corporation

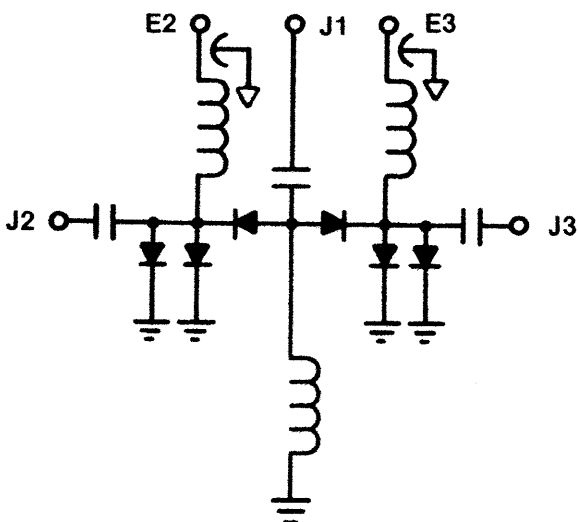
*BROADBAND PIN SWITCH SPDT SW-218-2 0.3 TO 18 GHz



FEATURES

- 0.3 to 18 GHz Frequency Range
- Low Insertion Loss
- Small Size
- Light Weight
- Rugged Chip and Microstrip Construction

FUNCTIONAL SCHEMATIC



SPECIFICATIONS

- Frequency Range: 0.3 to 18 GHz
- Insertion Loss: 2.5 dB, Max.
- Isolation: 55 dB, Min.
- VSWR: 2.0 to 1
- Switching Speed: 100 ns typ.
- Bias: Port on: -50ma
Port off: +30ma
- Power Handling: +20 dBm, CW, Max.
- Operating Temp.: -65° C to +85° C

DESCRIPTION

The SW-218-2 is a SPDT Pin Switch intended for wide band switching applications in commercial and military environments. It has an instantaneous frequency coverage from 0.3 to 18 GHz and features all solid state chip diode and microstrip construction for rugged, reliable operation.

6/85

*Licensed under U.S. Patent No. 3,812,438

7311G GROVE ROAD, FREDERICK, MARYLAND 21701 (301) 662-4700

SPECIFICATIONS, Cont'd.

FREQUENCY (GHz)	<u>0.3</u>	<u>0.2</u>	<u>4.0</u>	<u>8.0</u>	<u>12.0</u>	<u>18.0</u>
MAX. INSERTION LOSS (dB)	1.2	1.2	1.1	1.0	1.8	2.5
MIN. ISOLATION (dB)	85	80	75	70	65	55
MAX. VSWR	1.7	1.5	1.5	2.0	2.3	2.3

HUMIDITY, SHOCK, ETC. PER MIL-STD 202C

CONNECTORS: 1) RF: SMA FEMALE

2) BIAS: FEED THRU FILTER-SOLDER PIN

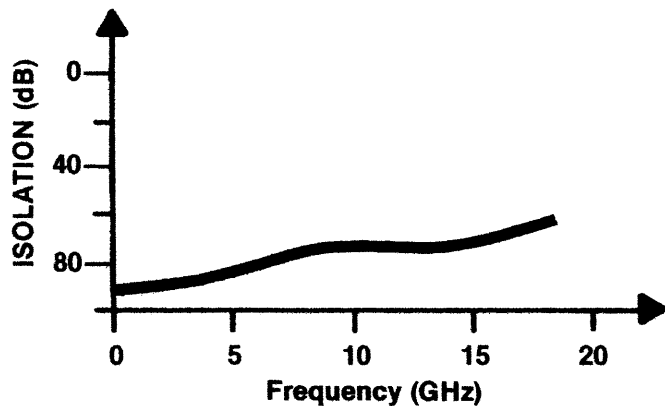
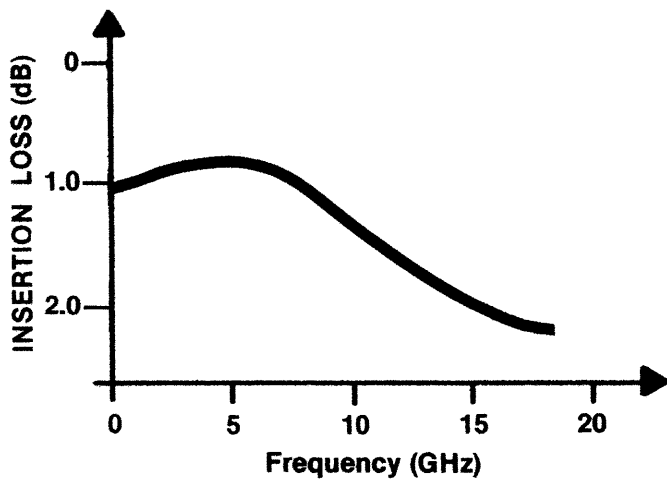
3) CONFIGURATION OPTIONS:

001- ONE MALE AND TWO FEMALE SMA CONNECTORS

002- TWO MALE AND ONE FEMALE SMA CONNECTORS

003- THREE MALE CONNECTORS

TYPICAL PERFORMANCE



MECHANICAL DATA

